

GROOVER 350

SPRUCE  
3/16 x 1/4

1/8" SHEET

3/16 SHEET

3/16 SPRUCE

KPS-12

1/32  
PLY  
DOUBLER

1/4 x 1/8 SPRUCE

3/32 (2 LAMINATED)

3/32 DOUBLER TO HERE

OUTLINE

RST-8 TANK

THRUST WIRE (USE NYLON TUBING)

THRUST LINE

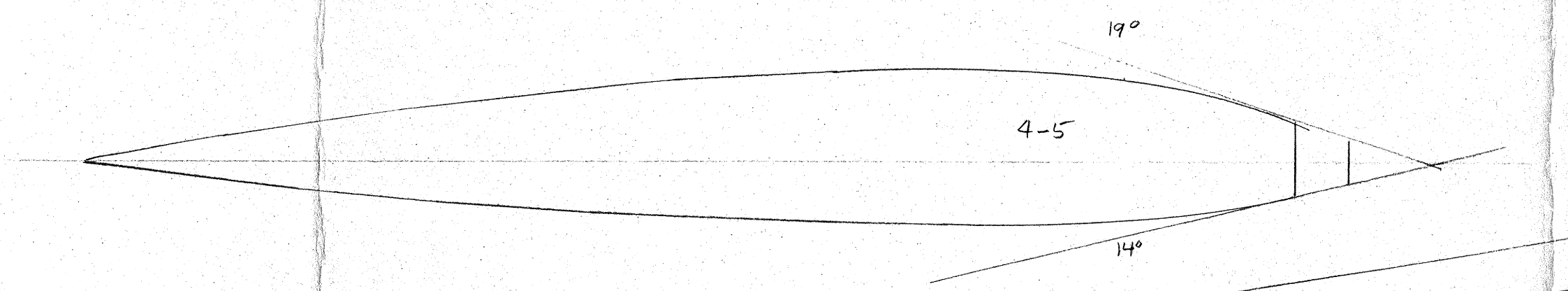
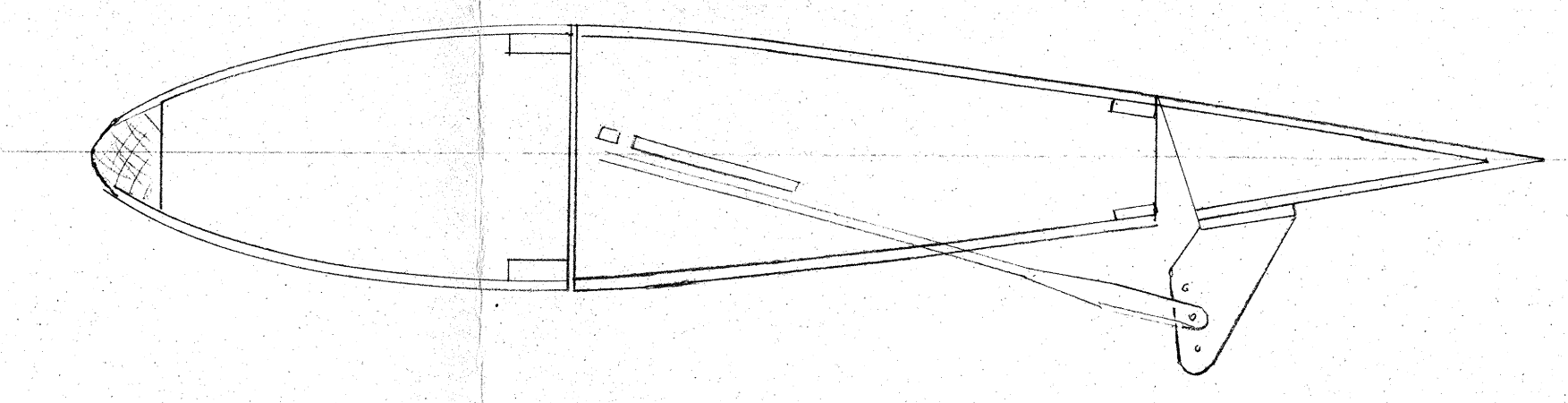
1/8" TRIPLER OUTLINE  
1/32 PLY

RIB #4

6/16  
THRUST  
WIRE

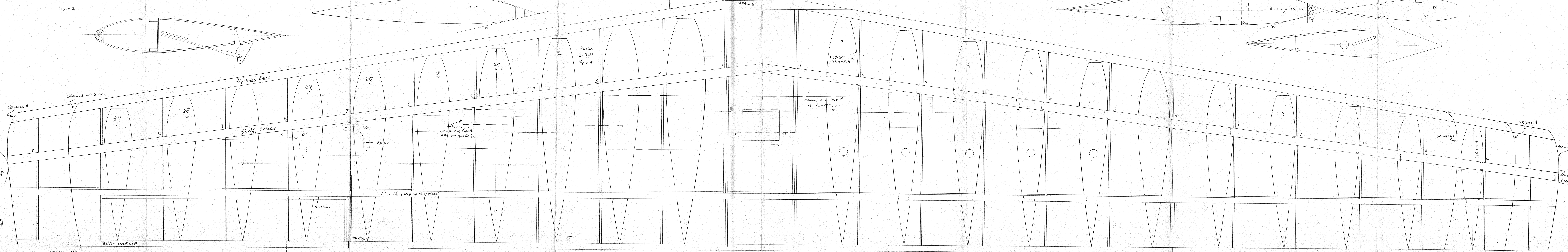
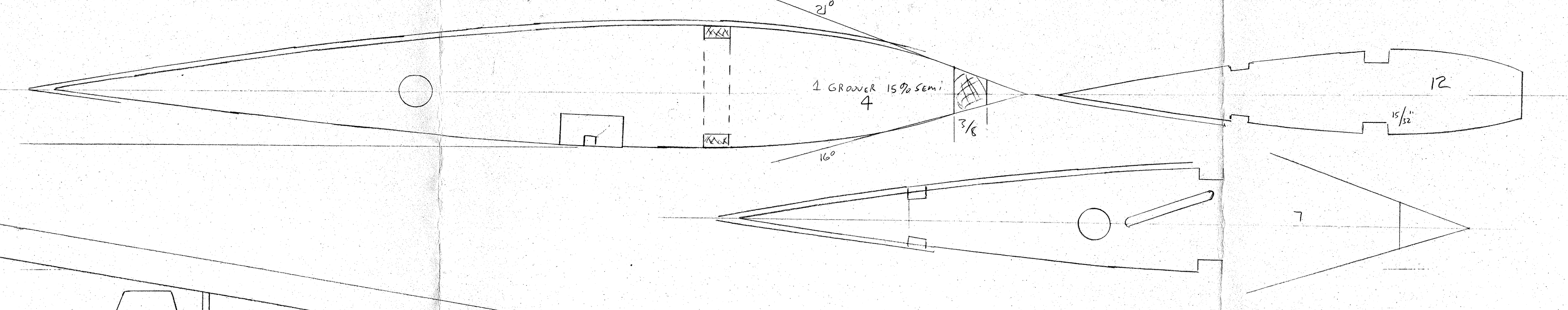
Pushrod 24  $\frac{3}{16}$ "  
Dihedral 1" under each tip

PLATE 2



#11  $\frac{1}{2}$ "  
#11  $\frac{1}{2}$ "

SPRUCE



400 Sq  
2-12.81  
1/8 EA

2  
(15% sem  
Groover 4)

LANDING GEAR SPAR  
7/8 x 1/16 SPRUCE

LOCATION  
OF LANDING GEAR  
SPAR ON 400 SQ IN

1/16 x 1/4 HARD BALSAM (SPRUCE)

AILERON

TR. EDGE

40 wing tip  
skin  
area

60  $\frac{1}{8}$   
+ trailing edge  
piece

61" SPAN 8 3/4" MAIN CHORD  
49.0 SQ IN.

400 SQ IN WING  
AILERON ENDS HERE

BEVEL OVERLAP